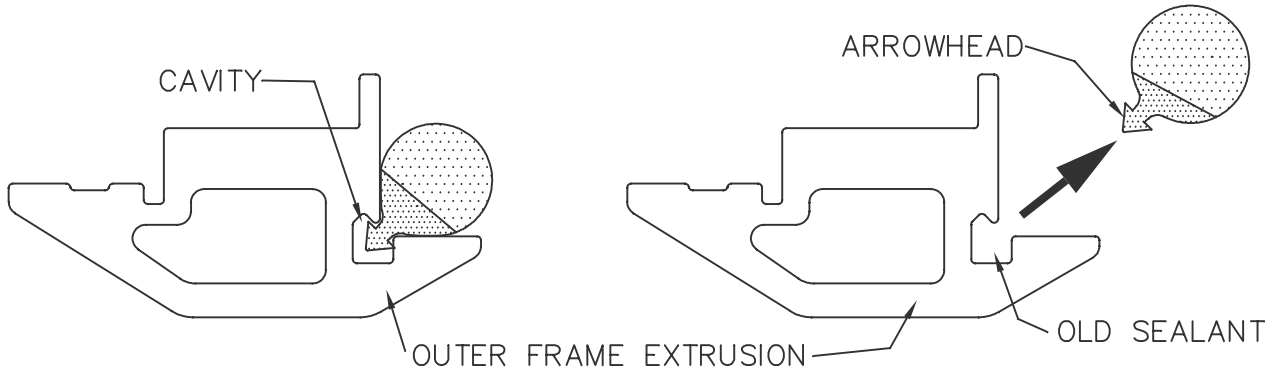


# LEWMAR

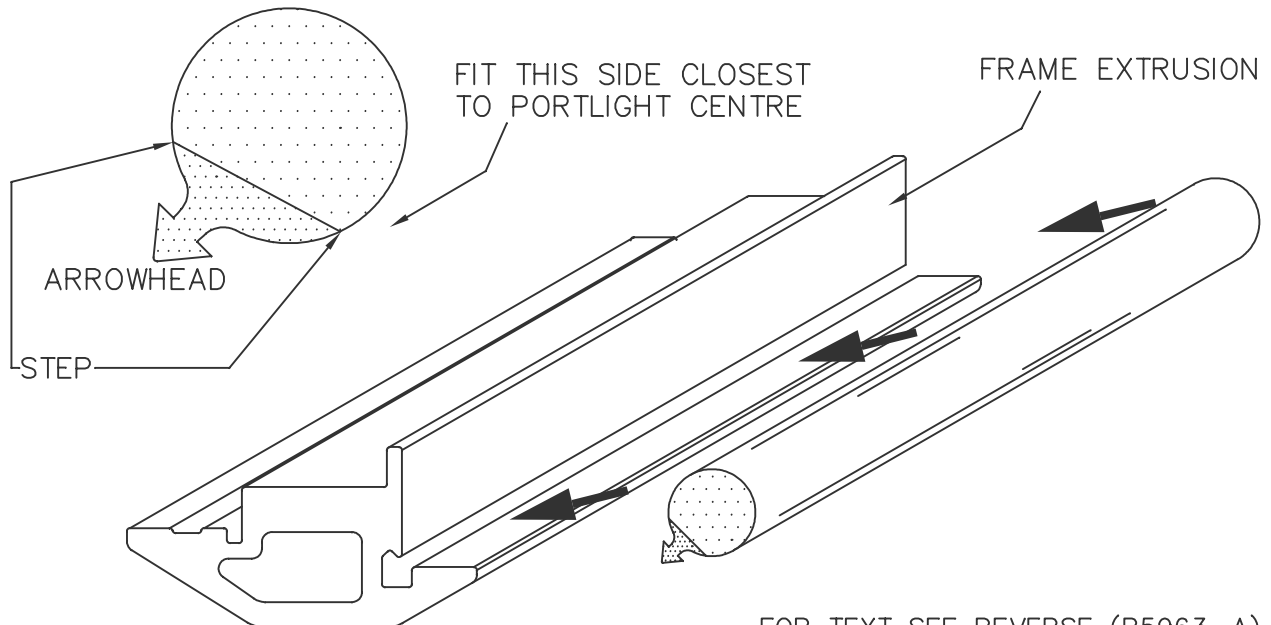
B5963-B

## REPLACING STANDARD PORTLIGHT SEALS

THE OLD SEAL IS HELD IN PLACE BY AN ARROWHEAD WHICH IS FORCED INTO A CAVITY IN THE ALUMINIUM EXTRUSION OF THE OUTER FRAME OF THE PORTLIGHT. IN ADDITION, SILICONE SEALANT HAS BEEN APPLIED TO THE CAVITY TO AID ASSEMBLY AND HELP PREVENT LEAKS.



WHEN REFITTING THE SEAL IT IS IMPORTANT TO NOTE THAT THE SEAL IS NOT THE SAME ON BOTH SIDES, THERE IS A SLIGHT STEP WHICH APPEARS AS A LINE ALONG THE SEAL. ON ONE SIDE OF THE SEAL THE STEP IS FURTHER AWAY FROM ONE SIDE THAN THE OTHER. FIT THE SEAL WITH THE STEP FURTHEST FROM THE ARROWHEAD CLOSEST TO THE CENTRE OF THE PORTLIGHT.



FOR TEXT SEE REVERSE (B5963-A)

REPLACEMENT SEALS	ISSUE	2	DATE	04.02.97
-------------------	-------	---	------	----------